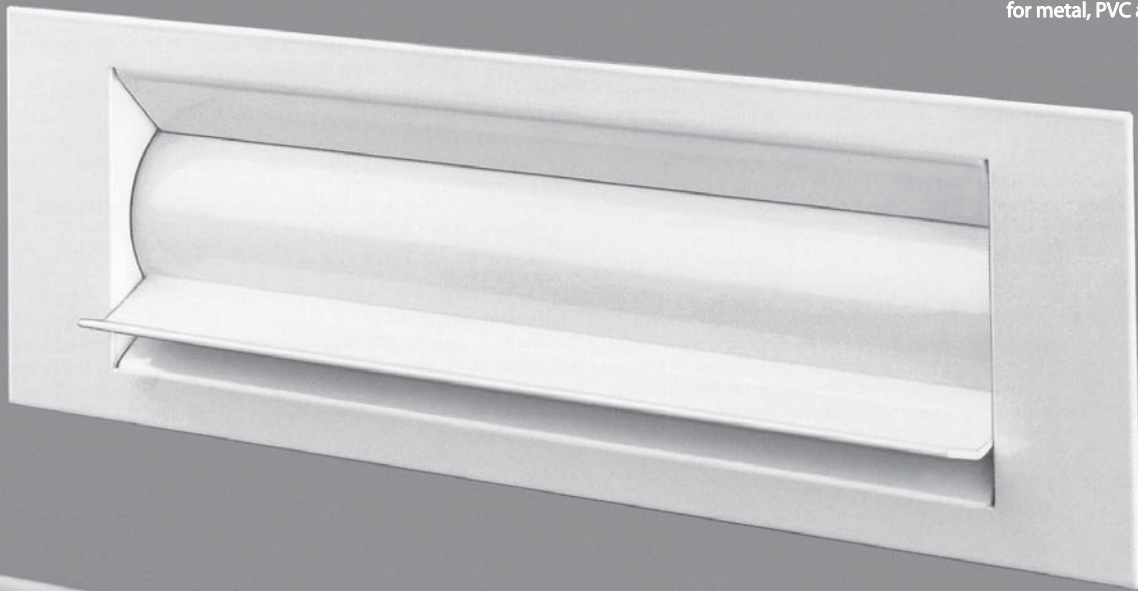


DraftGuard[®] Deluxe

Insulated
Eliminates drafts
Noise reducing
Eliminates dust

Insulated rotating mail slot
for metal, PVC and wooden doors



...with
rotatefunction



Residential collection

Rotating cylindrical unit with insulating air-cushion protects against loss of warmth

Every penetration of a door's surface reduces its insulatory value. The DraftGuard[®] Deluxe letter box slot with its precision rotating open-sided hollow cylinder ensures a better insulating value. The cylinder consists of two quarter-circular hollow-aluminum sections on PVC bearings and mounted in a molded plastic frame. Two stainless steel restoring springs automatically return the cylinder to its closed position after use, thus creating a sealed air-chamber for first-class thermal insulation. As the box unit is made largely of plastic its resistance to cold is high.

- Closed air-chamber (insulating air-cushion avoids loss of warmth)
- No air circulation (dust-proof)
- No drafts
- Noise reducing

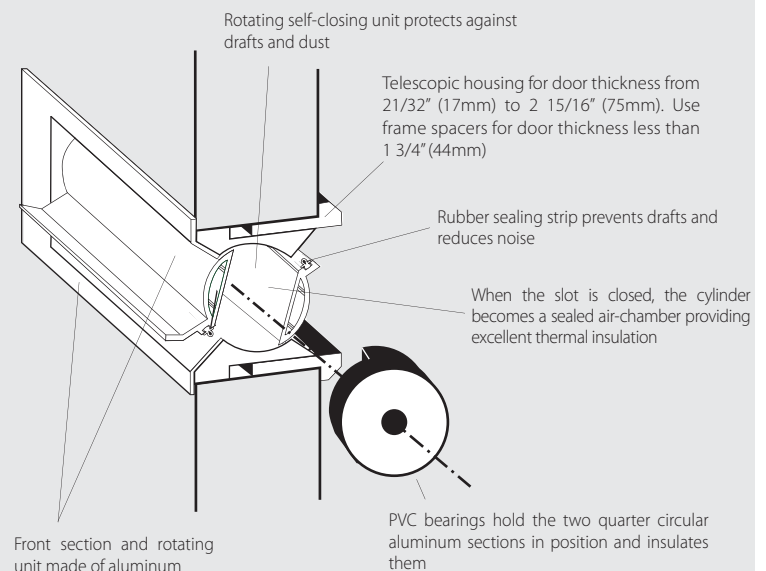
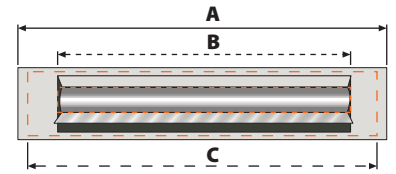
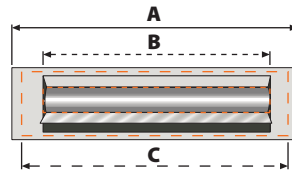


Table of products and order numbers

A = Front section
B = Mail slot
C = Door cut-out
D = Door thickness range



Front section dimensions

Mail slot dimensions

Door cut-out dimensions

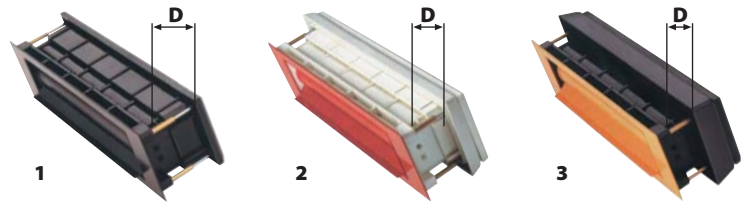
(A) 12 7/32" (310mm) x 3 5/32" (80mm)
 (B) 9 5/32" (236mm) x 1 3/16" (30mm)
 (C) 11 13/16" (300mm) x 2 3/4" (70mm)

(A) 15 3/4" (400mm) x 3 5/32" (80mm)
 (B) 12 13/16" (325mm) x 1 3/16" (30mm)
 (C) 15 5/16" (389mm) x 2 3/4" (70mm)

Anodized satin silver (EV1) Black plastic housing and frame		461001	462001
Anodized medium bronze (EV4) Black plastic housing and frame		461004	462004
Anodized dark bronze (EV5) Black plastic housing and frame		461005	462005
Anodized brass (EV3) Black plastic housing and frame		461006	462006
Polyester powder coated, white (RAL9010) White plastic housing and frame		461007	462007
Polyester powder coated, black (RAL 9011) Black plastic housing and frame		461010	462010
Anodized satin nickel Black plastic housing and frame		461011	462011

Frame spacers

for door thickness less than 1 3/4" (44mm)



Door thickness range (D)	1	2	3
	1 3/4" (44mm) - 2 15/16" (75mm)	1 3/16" (30mm) - 2 13/32" (61mm)	2 1/32" (17mm) - 1 7/8" (48mm)
	standard	46114 black 46114 white	46214 black 46214 white
		46127 black 46127 white	46227 black 46227 white

Examples of colour range

These and other colours are available upon request



RAL 1017



RAL 5005



RAL 3003



RAL 6002